

Key stage 3 mathematics 2007

Mental mathematics Test B

First name _____

Last name _____

School _____

Total marks

Time: 5 seconds continued

8		n	<input type="text"/>
9		-4 -5	<input type="text"/>
10	cm	20cm	<input type="text"/>

Time: 10 seconds

11	minutes	<input type="text"/>
12	<p>pupils</p>	<input type="text"/>
13	<p>cm</p>	<input type="text"/>
14	<p>°</p>	<input type="text"/>
15		<input type="text"/>

Practice question

	5	
--	---	--

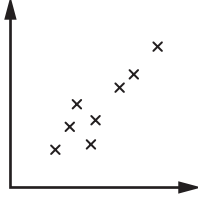
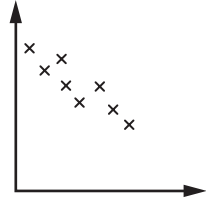
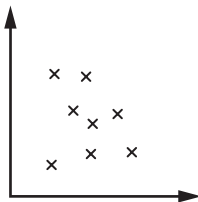
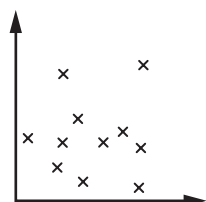
Time: 5 seconds

1		<input type="text"/>
2	56	<input type="text"/>
3	$6b - 4b$	<input type="text"/>
4	7	<input type="text"/>
5		<input type="text"/>
6	0.8 9	<input type="text"/>
7	12 : 4	<input type="text"/>

Time: 10 seconds continued

16		<input type="text"/> <small>16</small>
-----------	--	---

17	3cm by 4cm by 5cm	<input type="text"/> <small>17</small>
	cm ³	

18		<input type="text"/> <small>18</small>
		
		
		

19	%	$\frac{3}{5}$	<input type="text"/> <small>19</small>
-----------	---	---------------	---

20	50mph $2\frac{1}{2}$ hours	<input type="text"/> <small>20</small>
	miles	

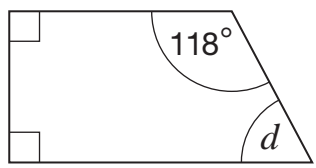
21	0.4 0.2	<input type="text"/> <small>21</small>
-----------	------------	---

Time: 15 seconds

22	£	55	20p	<input type="text"/> <small>22</small>
-----------	---	----	-----	---

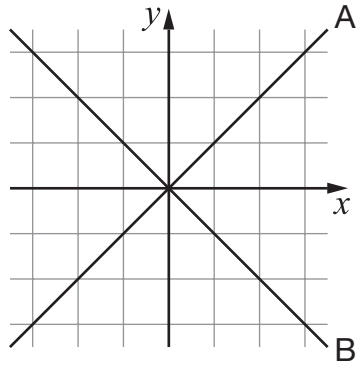
23		$y + 11 = 3x$	<input type="text"/> <small>23</small>
-----------	--	---------------	---

24	$18 \times 22 = 396$	<input type="text"/> <small>24</small>
	$3960 \div 18 =$	

25		<input type="text"/> <small>25</small>
	°	

26	$10(a + b)$	0.3	0.4	<input type="text"/> <small>26</small>

27		1600	<input type="text"/> <small>27</small>
-----------	--	------	---

28		<input type="text"/> <small>28</small>

29		-3	<input type="text"/> <small>29</small>
-----------	--	----	---

30	$6p^2 + 12p = 6p(\text{---} + \text{---})$	<input type="text"/> <small>30</small>
-----------	--	---